

A TRANSFORMERLESS CASCADED H-BRIDGE MULTILEVEL INVERTER AS STATCOM FOR GRID APPLICATIONS

V.Srikanth¹, N. Sammaiah²

¹ Student, EEE Department, Jyothismathi Institute of technology & Science, Telangana, India

² Asst.Prof, EEE Department, Jyothismathi Institute of technology & Science, Telangana, India

ABSTRACT

This paper is proposed a transformer less static synchronous compensator (STATCOM) system based on multi-level H-bridge converter with star configuration to compensate the reactive power in transmission system. This proposed system with controller devotes themselves not only to the current loop control but also to the dc capacitor voltage control. With regards to the current loop control, a nonlinear controller based on the passivity-based control theory is used in this cascaded structure of STATCOM. As to the dc capacitor voltage control, overall voltage control is realized by adopting a proportional integral controller. Individual balancing control is achieved by shifting the modulation wave vertically. Also fuzzy logic control controller has used instead of PI controller to have balanced DC-link Voltage. A three phase five-level H-bridge cascaded STATCOM has designed using MATLAB software for theoretical analysis. The dc capacitor voltage can be maintained at the given value effectively using the proposed control.

Keyword: - H-bridge cascaded, proportional Integral resonant (PIR) controller, Fuzzy logic control, static synchronous compensator (STATCOM).

1. INTRODUCTION

Numerous industrial applications have begun to require higher power apparatus in recent years. Some medium voltage motor drives and utility applications require medium voltage and megawatt power level. For a medium voltage grid, it is troublesome to connect only one power semiconductor switch directly. As a result, a multilevel power converter structure has been introduced as an alternative in high power and medium voltage situations. A multilevel converter not only achieves high power ratings, but also enables the use of renewable energy sources. Renewable energy sources such as photovoltaic, wind, and fuel cells can be easily interfaced to a multilevel converter system for a high power application.

The term multilevel began with the three-level converter. The term multilevel converter is utilized to refer to a power electronic circuit that could operate in an inverter or rectifier mode. Subsequently, several multilevel converter topologies have been developed. However, the elementary concept of a multilevel converter to achieve higher power is to use a series of power semiconductor switches with several lower voltage dc sources to perform the power conversion by synthesizing a *staircase voltage waveform*. Capacitors, batteries, and renewable energy voltage sources can be used as the multiple DC voltage sources. The commutation of the power switches aggregate these multiple dc sources in order to achieve high voltage at the output; however, the rated voltage of the power semiconductor switches depends only upon the rating of the dc voltage sources to which they are connected.

Flexible ac transmission systems (FACTS) are being increasingly used in power system to enhance the system utilization, power transfer capacity as well as the power quality of ac system interconnections [1], [2]. As a typical shunt FACTS device, static synchronous compensator (STATCOM) is utilized at the point of common connection (PCC) to absorb or inject the required reactive power, through which the voltage quality of PCC is improved [3]. In recent years, many topologies have been applied to the STATCOM. Among these different types of topology, H-bridge cascaded STATCOM has been widely accepted in high-power applications for the following advantages: quick response speed, small volume, high efficiency, minimal interaction with the supply grid and its individual

phase control ability [4]–[7]. Compared with a diode-clamped converter or flying capacitor converter, H-bridge cascaded STATCOM can obtain a high number of levels more easily and can be connected to the grid directly without the bulky transformer. This enables us to reduce cost and improve performance of H-bridge cascaded STATCOM [8].

There are two technical challenges which exist in H-bridge cascaded STATCOM to date. First, the control method for the current loop is an important factor influencing the compensation performance. However, many non ideal factors, such as the limited bandwidth of the output current loop, the time delay induced by the signal detecting circuit, and the reference command current generation process, will deteriorate the compensation effect. Second, H-bridge cascaded STATCOM is a complicated system with many H-bridge cells in each phase, so the dc capacitor voltage imbalance issue which caused by different active power losses among the cells, different switching patterns for different cells, parameter variations of active and passive components inside cells will influence the reliability of the system and even lead to the collapse of the system. Hence, lots of researches have focused on seeking the solutions to these problems.

In terms of current loop control, the majority of approaches involve the traditional linear control method, in which the nonlinear equations of the STATCOM model are linearized with a specific equilibrium. The most widely used linear control schemes are PI controllers [9], [10]. In [9], to regulate reactive power, only a simple PI controller is carried out. In [10], through a decoupled control strategy, the PI controller is employed in a synchronous d–q frame. However, it is hard to find the suitable parameters for designing the PI controller and the performance of the PI controller might degrade with the external disturbance. Thus, a number of intelligent methods have been proposed to adapt the PI controller gains such as particle swarm optimization [11], neural networks [12], and artificial immunity [13].

In literature [14], [15], adaptive control and linear robust control have been reported for their anti external disturbance ability. In literature [16], [17], a popular dead-beat current controller is used. This control method has the high bandwidth and the fast reference current tracking speed. The steady-state performance of H-bridge cascaded STATCOM is improved, but the dynamic performance is not improved. In [18], a dc injection elimination method called IDCF is proposed to build an extra feedback loop for the dc component of the output current. It can improve the output current quality of STATCOM. However, the circuit configuration of the cascaded STATCOM is the delta configuration, but not the star configuration. Moreover, an adaptive theory-based improved linear sinusoidal tracer control method is proposed in [19] and a leaky least mean square-based control method is proposed in [20]. But these methods are not for STATCOM with the cascaded structure. By using the traditional linear control method, the controller is characterized by its simple control structure and parameter design convenience, but poor dynamic control stability.

Other control approaches apply nonlinear control which directly compensates for the system nonlinearities without requiring a linear approximation. In [21], an input–output feedback linearization controller is designed. However, the implementation of these controllers is very complex. To enhance robustness and simplify the controller design, a passivity-based controller (PBC) based on error dynamics is proposed for STATCOM [27]–[30].

However, it cannot be widely used due to fact that many non ideal factors are neglected. In [45] and [46], the proposed method assumes that all cells are distributed with equal reactive power and it uses the cosine value of the current phase angle. It could lead to system instability, when using the zero-crossing point of the cosine value. In [47] and [48], the results of experiments are obtained in the downscaled laboratory system. Thus, they are not very persuasive in this condition. In this paper, a new nonlinear control method based on PBC theory which can guarantee Lyapunov function dynamic stability is proposed to control the current loop. It performs satisfactorily to improve the steady and dynamic response. For dc capacitor voltage balancing control, by designing a proportional resonant (PR) controller for overall voltage control, the control effect is improved, compared with the traditional PI controller. It finds its new application in H-bridge cascaded STATCOM for clustered balancing control. It realizes the excellent dynamic compensation for the outside disturbance. By shifting the modulation wave vertically for individual balancing control, it is much easier to be realized in field-programmable gate array (FPGA) compared with existing methods.

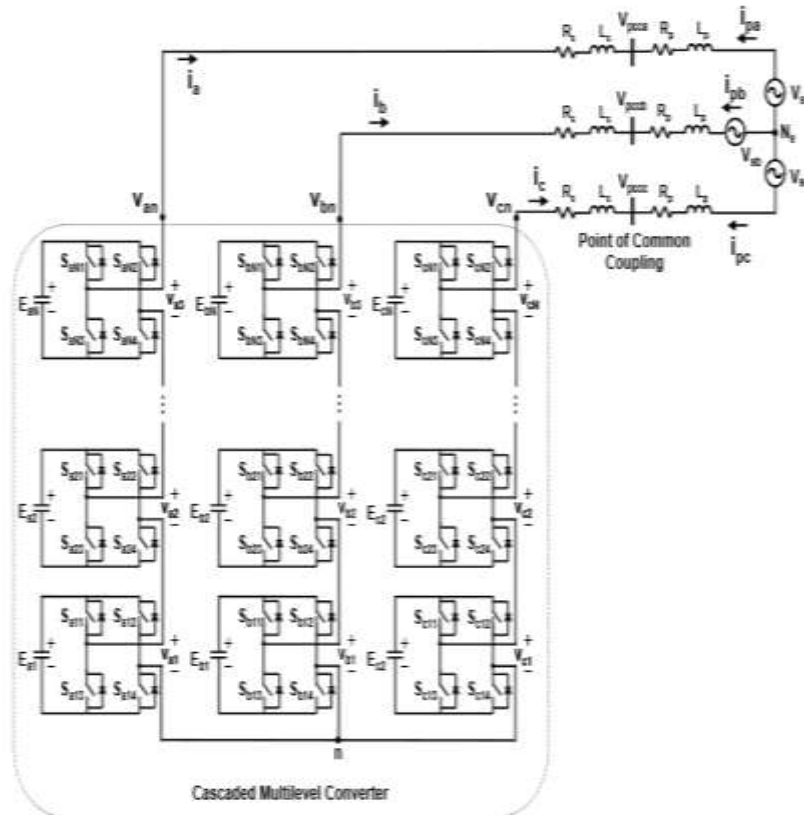


Fig-1: Configuration of the Cascaded H-bridge STATCOM.

2 PROPOSED CASCADED MLI STATCOM DESIGN

Fig. 1 shows the circuit configuration of the star-configured STATCOM cascading 12 H-bridge pulse width modulation (PWM) converters in each phase and it can be expanded easily according to the requirement. By controlling the current of STATCOM directly, it can absorb or provide the required reactive current to achieve the purpose of dynamic reactive current compensation. Finally, the power quality of the grid is improved and the grid offers the active current only. The power switching devices working in ideal condition is assumed. u_{sa}, u_{sb} , and u_{sc} are the three-phase voltage of grid. u_a, u_b , and u_c are the three-phase voltage of STATCOM. i_{sa}, i_{sb} , and i_{sc} are the three-phase current of grid. i_a, i_b , and i_c are the three-phase current of STATCOM. i_{la}, i_{lb} , and i_{lc} are the three-phase current of load. U_{dc} is the reference voltage of dc capacitor. C is the dc capacitor. L is the inductor. R_s is the starting resistor.

TAB-I: CIRCUIT PARAMETERS OF THE EXPERIMENTAL SYSTEM

Grid voltage	u_s	10 kV
Rated reactive	Q	2 MVA
AC inductor	L	10 mH
Starting resistor	R_s	4 kΩ
DC capacitor capacitance	C	5600 μF
DC capacitor reference voltage	U_{dc}	600 V
Number of H-bridges	N	2
PWM carrier frequency	f	1 kHz

Table I summarizes the circuit parameters. The cascade number of $N = 12$ is assigned to H-bridge cascaded STATCOM, resulting in 36 H-bridge cells in total. Every cell is equipped with nine isolated electrolytic capacitors which the capacitance is $5600 \mu\text{F}$. The dc side has no external circuit and no power source except for the dc capacitor and the voltage sensor. In each cluster, an ac inductor supports the difference between the sinusoidal voltage of the grid and the ac PWM voltage of STATCOM. The ac inductor also plays an important role in filtering out switch ripples caused by PWM. For selecting insulated-gate bipolar transistor (IGBT), considering the complexities of practical industrial fields, there might be the problems of the spike current and over load.

Consequently, in order to ensure the stability and reliability of H-bridge cascaded STATCOM, and also improve the over load capability, the current rating of the selected IGBT should be reserved enough safety margin. In the proposed system, 1.4 times rated current operation is guaranteed, the peak current under the 1.4 times over load condition is 224 A, the additional 76 A ($30 - 224 \text{ A} = 76 \text{ A}$) is the safety margin of IGBT modules. Due to the previous considerations, the voltage and current ratings of IGBT which is selected as the switching element in main circuit are 1.7 kV and 300 A.

3. CONTROL SYSTEM DESIGN

Fig. 2 shows a block diagram of the control algorithm for H-bridge cascaded STATCOM. The whole control algorithm mainly consists of four parts, namely, PBC, overall voltage control, clustered balancing control, and individual balancing control. The first three parts are achieved in DSP, while the last part is achieved in the FPGA.

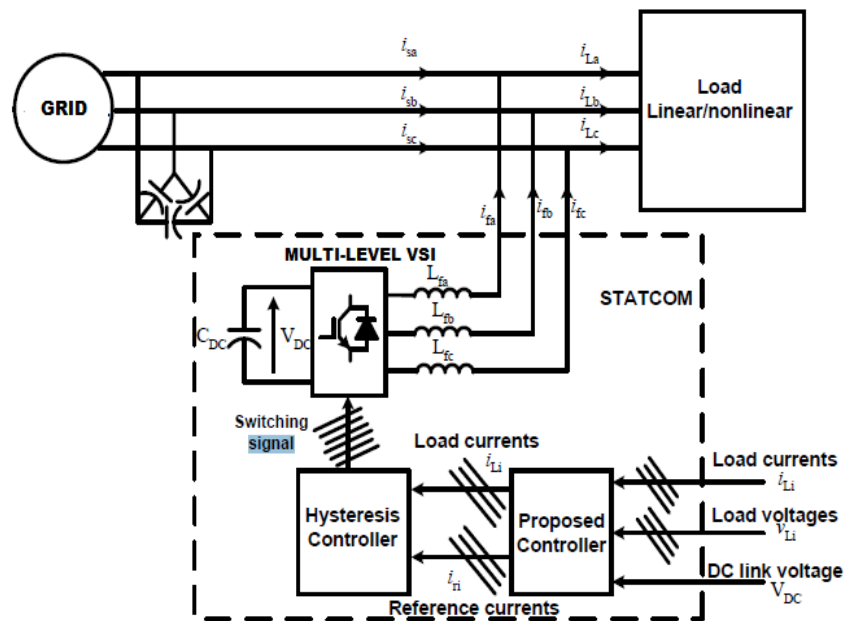


Fig-2: Schematic diagram of proposed system

Three-phase STATCOM is attached near to the load. The sensed DC link voltage V_{DC} , load voltages, V_{Li} , and currents, i_{Li} are manipulated via proposed controller to generate reference currents i_{ri} . Then, the Switching signals that drive the Voltage Source Inverter (VSI) are obtained from a hysteresis controller. A large DC capacitor C_{DC} is utilized for maintaining the voltage of STATCOM DC side constant. To filter the high frequency switching ripples, a filter inductor is inserted between the STATCOM and the point of the common coupling. Occasionally, the STATCOM is coupled to the system through a transformer, which may eliminate the need for inductor filter.

The principles and fundamentals of the STATCOM are adequately highlighted in the literature [6-8]. The dynamic model of the STATCOM is well addressed in [7]; thus the focus here is on the design of the DC side capacitor and controller as given in the following sections.

1. Dimension of the DC-link capacitor

In grid-connected wind induction generator system, the prime target of the STATCOM is partially and or fully fulfilling the generator reactive power requirements, particularly under transient conditions. Moreover, it may contribute in supplying load reactive power demands. This has the advantages of loading the transmission lines to their maximum limits. STATCOM is dimensioned in a stand-alone IG based system, according to the generator and the load reactive power requirements, considering the reactive power supplied by self excitation arrangements. In the system under consideration, 3.75kW self-excited IG is assumed to operate at 0.85 power factor (pf) lag. Thus, this generator requires around 2.4kVAR at full load conditions. It is worth to mention that the fixed excitation facilities are dimensioned for fulfilling only the generator reactive power at unity power factor full load operation at rated speed, as they supply under such conditions around 2kVAR. Thus, an additional reactive power source has to be employed for securing load requirements. Moreover, the capacitance bank excitation as mentioned suffers from the inability to cope with abrupt load change in terms of maintaining system voltage and frequency. The voltage of the DC-link voltage, VDC, generally fluctuates during transient conditions in the range of (1.4-1.8) times the peak voltage of the AC voltage, Vpeak.

The value of the DC-link CDC could be estimated from the energy balance during a disturbance, at which the STATCOM injects rated reactive power. Accordingly, the DC-link CDC is given by,

$$C_{DC} = \frac{Q_{rated_Statcom} nT}{V_{DCmax}^2 - V_{DCmin}^2} \tag{1}$$

where Qrated_STATCOM, T and n are rating of STATCOM, periodic time of AC voltage cycle and ratio of response time to supply periodic time respectively. VDCmax and VDCmin are the maximum and minimum allowed limits of the DC voltage during a disturbance. The rated reactive power of the STATCOM, Qrated_STATCOM is 2kVAR; this value is selected according to a load of 3.5kW at 0.85pf lag, which resembles rated load of the generator. The DC-link capacitor CDC for system under concern is nearly 6mF, where the DC-link voltage VDC is assumed to fluctuate between 1.8 Vpeak to 1.4 Vpeak of the AC voltage.

2. Control Design

The control is advised based on P-Q theory. This theory is comprehensively analyzed in [20, 21]. The schematic of the proposed control technique is shown in Fig. 3. Load voltages and currents are transformed from abc to αβ coordinates; then load power are computed to defines the compensated power components. Finally, the reference currents are expressed in abc coordinates and compared with the actual currents through hysteresis band controller. A PI controller is used for regulating the DC-link voltage VDC.

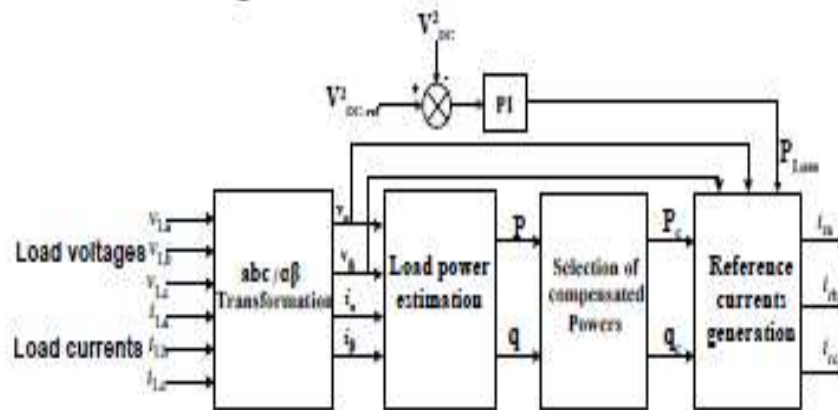


Fig-3: Proposed control scheme

Transforming load voltages, vLa, vLb and vLc, and currents, iLa, iLb and iLc, from (a-b-c) to (α-β-0) coordinates through Clarke formula as,

$$\begin{bmatrix} f_\alpha \\ f_\beta \end{bmatrix} = \sqrt{\frac{2}{3}} \begin{bmatrix} 1 & -\frac{1}{2} & -\frac{1}{2} \\ 0 & \frac{\sqrt{3}}{2} & -\frac{\sqrt{3}}{2} \end{bmatrix} \begin{bmatrix} f_{ia} \\ f_{ib} \\ f_{ic} \end{bmatrix} \tag{2}$$

where f stands for voltage and current. The instantaneous active and reactive powers are given by

$$p = v_\alpha i_\alpha + v_\beta i_\beta = \bar{p} + \tilde{p} \tag{3}$$

$$q = -i_\alpha v_\beta + i_\beta v_\alpha = \bar{q} + \tilde{q} \tag{4}$$

The active power p is considered to have two components: average \bar{p} and oscillating \tilde{p} . The average component \bar{p} represents the value of the instantaneous real power, which is transferred from the power supply to the load. \tilde{p} represents the oscillating energy flow per time unity, which naturally produces a zero average value; it represents an amount of additional power flow in the system without effective contribution to the energy transfer. Likewise, the load reactive power q could be separated into an average \bar{q} and oscillating \tilde{q} components. \bar{q} corresponds to the conventional three-phase reactive power, while \tilde{q} corresponds to a power that is being exchanged among the three phases, without transferring any energy between source and load. A Butterworth high pass filter is used for separating average and oscillating components of the active and reactive powers. After segregating the powers, the components need to be compensated are given by,

$$q_c^* = (k \times \bar{q} + \tilde{q}) \tag{6}$$

The gain k is used for increasing the control applicability to generator type/system layout. For, example in case of induction generator k is nearly equal to 1.0; as the STATCOM has to partially/fully satisfy the generator and load reactive power requirements in case of stand-alone mode. It is worth to mention here, that the oscillating components disappear in case of harmonic free loads; the reference currents in α - β are obtained from,

$$\begin{bmatrix} i_\alpha^* \\ i_\beta^* \end{bmatrix} = \frac{1}{v_\alpha^2 + v_\beta^2} \begin{bmatrix} v_\alpha & v_\beta \\ v_\beta & -v_\alpha \end{bmatrix} \begin{bmatrix} p_c^* + p_{loss} \\ q_c^* \end{bmatrix} \tag{7}$$

The component p_{loss} , equation (7), is added to account for the system losses. The reference currents could be expressed in abc coordinates by,

$$\begin{bmatrix} i_{ca}^* \\ i_{cb}^* \\ i_{cc}^* \end{bmatrix} = \sqrt{\frac{2}{3}} \begin{bmatrix} 1 & 0 \\ -\frac{1}{2} & \frac{\sqrt{3}}{2} \\ -\frac{1}{2} & -\frac{\sqrt{3}}{2} \end{bmatrix} \begin{bmatrix} i_\alpha^* \\ i_\beta^* \end{bmatrix} \tag{8}$$

3. DC-link voltage Compensator

Commonly, a PI controller is used to suppress the fluctuation in the DC-link voltage of the STATCOM under non-constant load conditions. The error signal that drives the controller usually is obtained by comparing the reference V_{DC_ref} and the DC voltage V_{DC} . The response time of this scheme has the disadvantage of being slow. Thus, fast acting DC-link voltage controller is proposed. The compensator is driven by the difference between V_2 DC_ref and V_2

DC. The mathematical basis for this advised control is given in the following. A certain amount of active power, P_{loss} , should be supplied to the STATCOM, to maintain the DC-link voltage V_{DC} at the reference value,. Equating P_{loss} by DC-link power yields,

$$P_{loss} = V_{DC} I_{DC} \tag{9}$$

This paper selects $k_p = 0.05$, $k_r = 10$, $\omega_c = 3.14$ rad/s, and $\omega_0 = 100\pi$ as the PR controller parameters. $k_p = 0.5$ and $k_i = 0.01$ are selected as the PI controller parameters. The PI controller can make the voltage reach the target value rapidly, but it still requires roughly double the settling time with a much larger overshoot (greater than 6%) than that of the proposed controller.

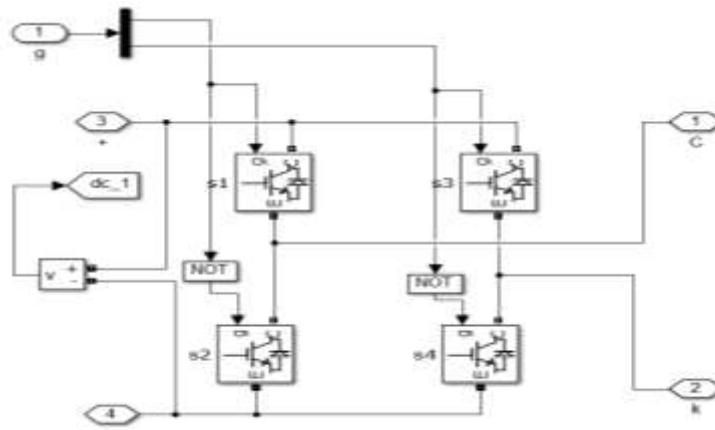


Fig-6: The H-bridge block of Cascaded multi-level Statcom

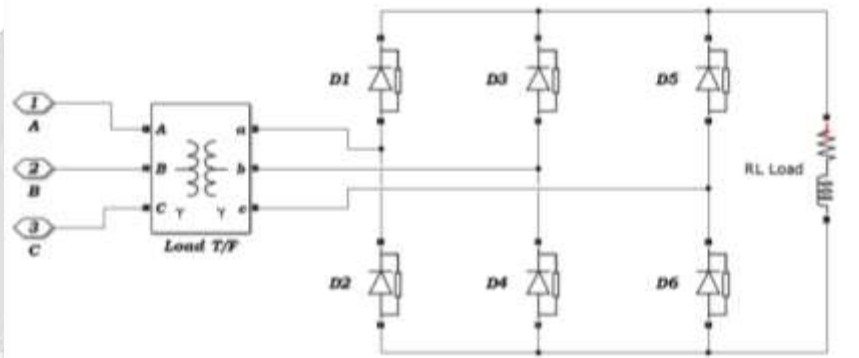


Fig-7: Non-linear load connected at the output section of the proposed system.

4.1 When Using PIR controller

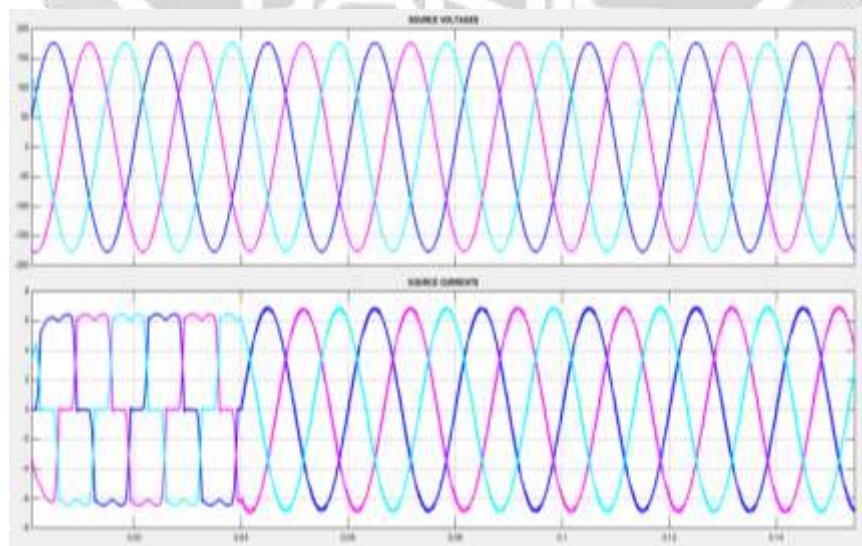


Fig-8: The input voltage and current of proposed circuit when using PI controller

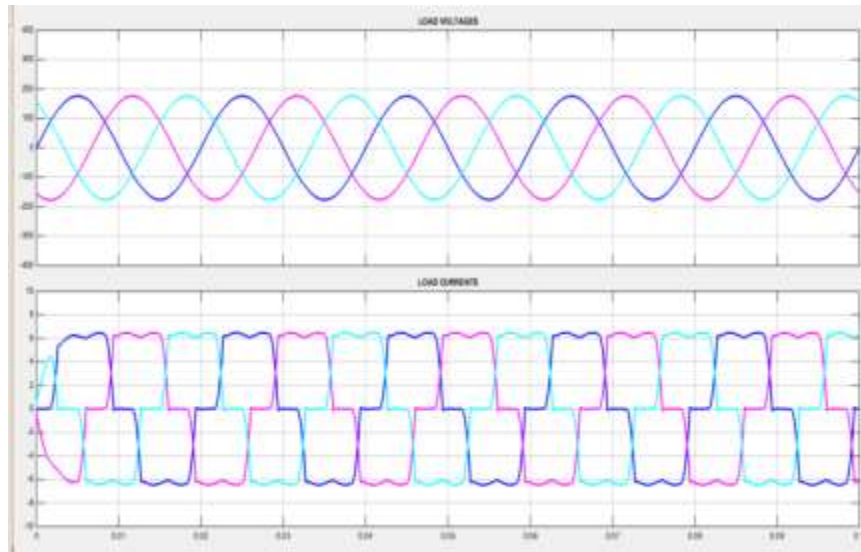


Fig-9: The load voltages and currents

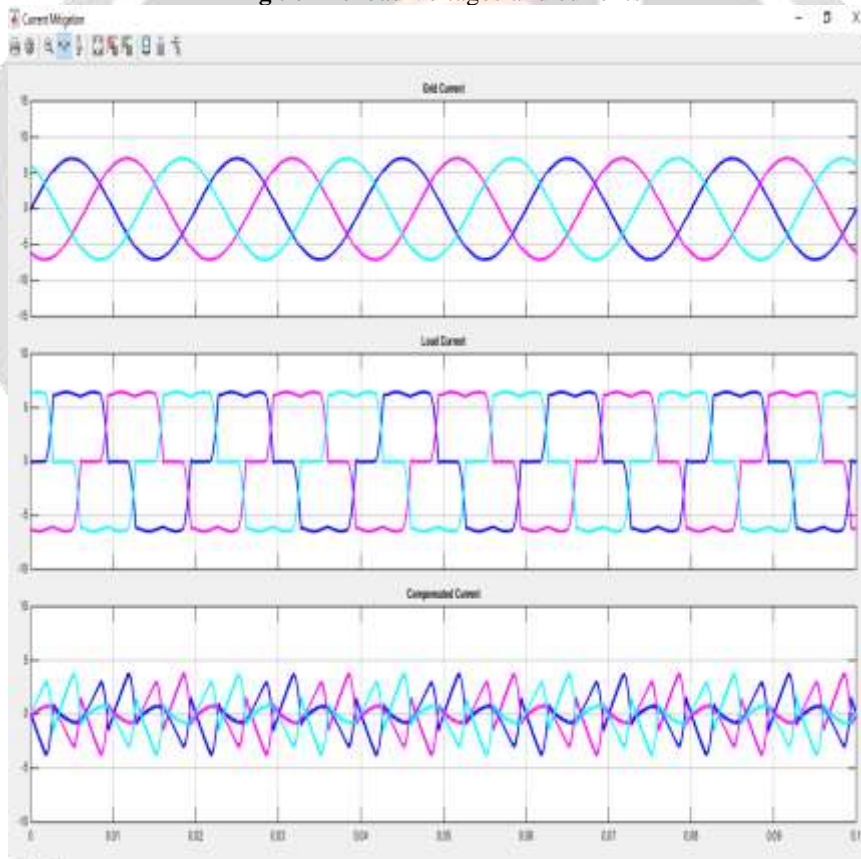


Fig-10: The grid currents, Load currents and Compensation currents

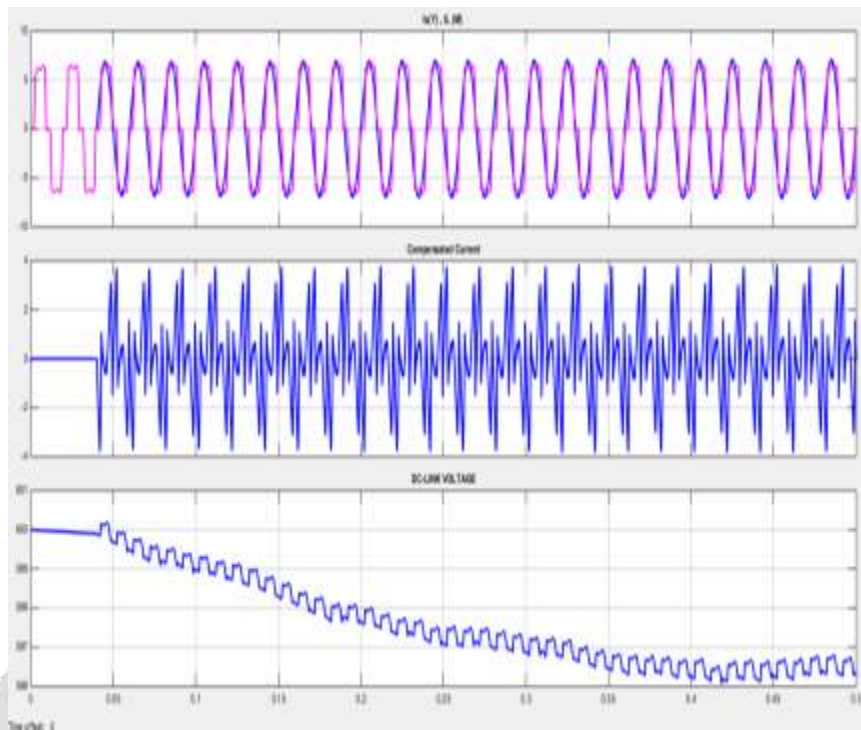


Fig-11: The line currents and load currents before and after compensation and DC-link voltage.

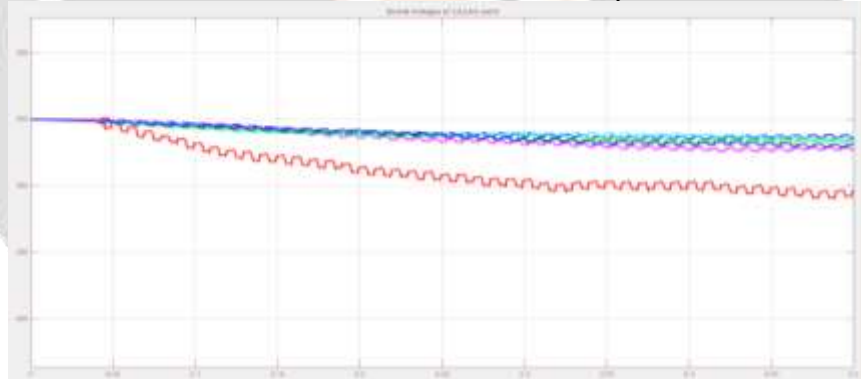


Fig-12: DC-link voltages of all six capacitors of proposed controller when using PI.

4.2 Fuzzy logic controller

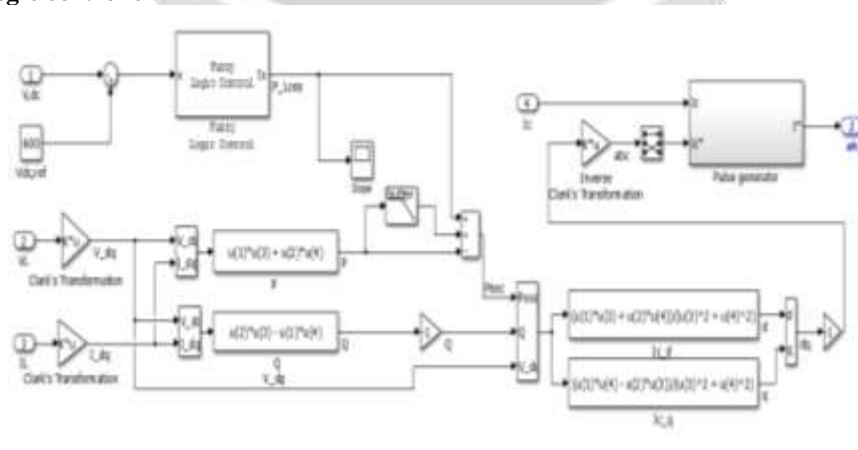


Fig-13: The proposed controller with Fuzzy logic controller instead of PI.



Fig-14: DC-link voltages of all six capacitors of proposed controller when using PI.

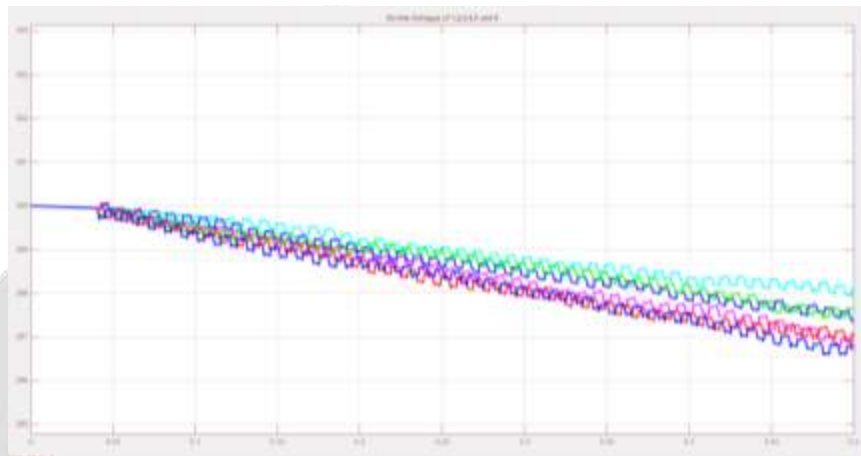


Fig-15: Zoomed view of DC-link voltages of all six capacitors of proposed controller when using PI.

It is observed that the DC-link is unaffected when using robust Fuzzy logic controller instead of PI controller.

5. CONCLUSION

This paper is proposed of STATCOM based on multilevel H-bridge converter with star configuration. A control method has also proposed in detail. The proposed methods have the following characteristics. A nonlinear controller is first used in STATCOM with this cascaded structure for the current loop control, and the viability is verified by the simulation results. The PI controller is designed for overall voltage control and the experimental result proves that it has better performance in terms of response time and damping profile compared with the Fuzzy controller. The H-bridge cascaded STATCOM for clustered balancing control and the experimental results verify that it can realize excellent dynamic compensation for the outside disturbance. The individual balancing control method which is realized by shifting the modulation wave. The simulation results have confirmed that the proposed methods are feasible and effective. In addition, the findings of this study can be extended to the control of any multilevel voltage source converter, especially those with H-bridge cascaded structure.

6. REFERENCES

- [1] B. Gultekin and M. Ermis, "Cascaded multilevel converter-based transmission STATCOM: System design methodology and development of a 12 kV \pm 12 MVar power stage," *IEEE Trans. Power Electron.*, vol. 28, no. 11, pp. 4930–4950, Nov. 2013.
- [2] B. Gultekin, C. O. Gerc,ek, T. Atalik, M. Deniz, N. Bic,er, M. Ermis, K. Kose, C. Ermis, E. Koc,., I. C, adirci, A. Ac,ik, Y. Akkaya, H. Toygar, and S. Bideci, "Design and implementation of a 154-kV \pm 50-Mvar transmission STATCOM based on 21-level cascaded multilevel converter," *IEEE Trans. Ind. Appl.*, vol. 48, no. 3, pp. 1030–1045, May/Jun. 2012.
- [3] S. Kouro, M. Malinowski, K. Gopakumar, L. G. Franquelo, J. Pou, J. Rodriguez, B.Wu,M. A. Perez, and J. I. Leon, "Recent advances and industrial applications of multilevel converters," *IEEE Trans. Ind. Electron.*, vol. 57, no. 8, pp. 2553–2580, Aug. 2010.

- [4] F. Z. Peng, J.-S. Lai, J. W. McKeever, and J. VanCoevering, "A multilevel voltage-source inverter with separate DC sources for static var generation," *IEEE Trans. Ind. Appl.*, vol. 32, no. 5, pp. 1130–1138, Sep./Oct. 1996.
- [5] Y. S. Lai and F. S. Shyu, "Topology for hybrid multilevel inverter," *Proc. Inst. Elect. Eng.—Elect. Power Appl.*, vol. 149, no. 6, pp. 449–458, Nov. 2002.
- [6] D. Soto and T. C. Green, "A comparison of high-power converter topologies for the implementation of FACTS controllers," *IEEE Trans. Ind. Electron.*, vol. 49, no. 5, pp. 1072–1080, Oct. 2002.
- [7] C. K. Lee, J. S. K. Leung, S. Y. R. Hui, and H. S.-H. Chung, "Circuit-level comparison of STATCOM technologies," *IEEE Trans. Power Electron.*, vol. 18, no. 4, pp. 1084–1092, Jul. 2003.
- [8] H. Akagi, S. Inoue, and T. Yoshii, "Control and performance of a transformerless cascade PWM STATCOM with star configuration," *IEEE Trans. Ind. Appl.*, vol. 43, no. 4, pp. 1041–1049, Jul./Aug. 2007.
- [9] A. H. Norouzi and A. M. Sharaf, "Two control scheme to enhance the dynamic performance of the STATCOM and SSSC," *IEEE Trans. Power Del.*, vol. 20, no. 1, pp. 435–442, Jan. 2005.
- [10] C. Schauder, M. Gernhardt, E. Stacey, T. Lemak, L. Gyugyi, T. W. Cease, and A. Edris, "Operation of ± 100 MVar TVA STATCOM," *IEEE Trans. Power Del.*, vol. 12, no. 4, pp. 1805–1822, Oct. 1997.
- [11] C. H. Liu and Y. Y. Hsu, "Design of a self-tuning PI controller for a STATCOM using particle swarm optimization," *IEEE Trans. Ind. Electron.*, vol. 57, no. 2, pp. 702–715, Feb. 2010.
- [12] S. Mohagheghi, Y. Del Valle, G. K. Venayagamoorthy, and R. G. Harley, "A proportional-integrator type adaptive critic design-based neuro controller for a static compensator in a multimachine power system," *IEEE Trans. Ind. Electron.*, vol. 54, no. 1, pp. 86–96, Feb. 2007.
- [13] H. F. Wang, H. Li, and H. Chen, "Application of cell immune response modelling to power system voltage control by STATCOM," *Proc. Inst. Elect. Eng. Gener. Transm. Distrib.*, vol. 149, no. 1, pp. 102–107, Jan. 2002.
- [14] A. Jain, K. Joshi, A. Behal, and N. Mohan, "Voltage regulation with STATCOMs: Modeling, control and results," *IEEE Trans. Power Del.*, vol. 21, no. 2, pp. 726–735, Apr. 2006.
- [15] V. Spitsa, A. Alexandrovitz, and E. Zeheb, "Design of a robust state feedback controller for a STATCOM using a zero set concept," *IEEE Trans. Power Del.*, vol. 25, no. 1, pp. 456–467, Jan. 2010.
- [16] C. D. Townsend, T. J. Summers, and R. E. Betz, "Multigoal heuristic model predictive control technique applied to a cascaded H-bridge STATCOM," *IEEE Trans. Power Electron.*, vol. 27, no. 3, pp. 1191–1200, Mar. 2012.
- [17] C. D. Townsend, T. J. Summers, J. Vodden, A. J. Watson, R. E. Betz, and J. C. Clare, "Optimization of switching losses and capacitor voltage ripple using model predictive control of a cascaded H-bridge multilevel STATCOM," *IEEE Trans. Power Electron.*, vol. 28, no. 7, pp. 3077–3087, Jul. 2013.