

HARMONIC ANALYSIS OF GRID CONNECTED PHOTOVOLTAIC INVERTER

E. Anil Kumar¹, T. Shiva²

¹ Student, EEE Department, Jyothismathi Institute of technology & Science, Telangana, India

² Asst.Prof, EEE Department, Jyothismathi Institute of technology & Science, Telangana, India

ABSTRACT

The Photo Voltaic inverters without the isolation transformer become more attractive due to higher efficiency and lower weight and other offered mentioned advantages. However, it may have dc offset current while injecting generated AC to the grid which is critical to the power system. In this paper, a simplified control strategy of suppressing dc current injection to the grid connected for PV inverters is analyzed using MATLAB simulink software. It is based on the idea of accurately sensing the dc offset voltage of PV inverter output which is fed to Grid. Since dc component of the inverter output can be eliminated, dc injection to the grid can be effectively suppressed. To show the effectiveness of the proposed method FFT analysis has implemented to the proposed method.

Keyword: - Inverter, DC offset suppression, FFT analysis, PV, Grid.

1. INTRODUCTION

The rapid development of renewable generation boosted the need for efficient, cheap, and robust converters that would interface them to the grid, without compromising the quality of supply for the end user. Most renewable provide a dc source of electric power, thus proper interfacing to the grid requires at least an inverter. Often, due to the low voltage acquired from sources such as domestic wind turbines, solar arrays or fuel cells, a boost converter or/and a transformer (if isolation is required) is added at the dc or ac side, respectively, in order to boost the voltage to the appropriate level. The most common type of commercial inverter used for this kind of applications is a variation of sinusoidal pulse width modulation full-bridge inverter. The simplicity of the design provides robust operation and simple control, but the harmonic content of the output requires a low-pass filter to comply with the standards.

Two disadvantages of this application are the increased size and cost due to the filter and the losses of the semiconducting switches performing the inverting operation at the inverter bridge (four) and the boost converter (one), usually, at a non acoustic frequency. Several PWM methods have been developed in order to reduce the harmonic content. Selective harmonic elimination solves the transcendental equations characterizing harmonics, so that appropriate switching angles are computed for the elimination of specific harmonics at the output [1]–[3].

Theoretically, these methods can provide a satisfying harmonic content. However, the solution of these equations is computationally intensive, thus, quite difficult to be done online. In small-scale applications, where powerful digital signal processors (DSPs) are not currently an option due to their higher cost, either switching angles are calculated offline [4]–[8], or the equations are liberalized before they are solved [9], [10], or an approximate solution is sought where the topology permits it [11]. Other methods include modification of the carrier signal [12]–[14] or the reference sine wave [15], [16]. All of them, though, are open-loop control schemes, which assume a known and perfectly constant dc source (i.e., harmonics induced to the grid by an inductive source are ignored) and ignore the existing harmonic content of the grid voltage or the distortion caused by the load. In simple terms, they aim to reduce the harmonics created by the PWM itself, rather than improve the harmonic content at the terminal bus, which is affected by the PWM only partially.

Authors in [17] and [18] suggested a sine-wave modulated buck–boost converter cascaded with a polarity changing inverter. Simulation results demonstrate that this topology works exceptionally well, producing an ac sine-wave output, which depends upon the reference sine-wave amplitude. Furthermore, switching losses are practically limited to the single semiconducting switch of the buck–boost converter. Additionally, there is no need for a big and expensive stabilizing electrolytic capacitor at the dc bus. Low inertia is required at the common bus of the two converters, so thin-film, low capacity, and long life capacitor is used, instead. However, there are drawbacks for this topology and the previously presented modulation methods, which are not mentioned in [17] or [18]. First, voltage is usually not zero when the inverter swaps output polarity. Low-order odd harmonics are created and THD is compromised. Second, when the dc source is inductive, e.g., a wind turbine generator, the output of the sine-wave modulated buck–boost converter is not an ideal rectified sine anymore. In this case, the waveform peaks are shifted to higher angles than 90°; a distortion which is visualized as a significant third harmonic in the Fourier analysis.

In this study, we present a simple, but effective, improvement of the sine-wave modulation of the buck–boost converter, so that the output capacitor’s remaining voltage is minimized when the inverter swaps output polarity. Additionally, a low-order harmonic elimination method, superimposed on the buck–boost modulation, is presented. The initial aim of the method was to remedy the output distortion due to the inductive power source, but in practice it improves the harmonic content of the output whether the reason of the distortion is the source, the load, the synchronized grid, or a combination of the aforementioned elements. Similarly, to the methods reviewed in [13], specific harmonics are injected in order to improve the harmonic content of the output. However, these methods share the feature that the injected harmonic amplitudes are pre calculated, according to the expected harmonic distortion created by the PWM itself [14], [15].

Sharma first introduced a detecting method of dc offset voltage. A small 1:1 voltage transformer and an RC circuit were used to detect the dc offset voltage at the inverter output in the full-bridge grid-connected inverter. And the dc offset in the grid current was eliminated by feeding back the dc offset voltage to the PI controller. Alfcock and Bowtell [19] continued studying this method by establishing the mathematical model and verified it. He and Xu [16] used a voltage sensor at the inverter output consisting of a differential amplifier and a low-pass filter. DC offset detected at the output of the low-pass filter is fed back to the controller. A mathematical model is provided in this paper. However, the experimental results under grid mode were not given. The voltage-detection control method uses sensors to detect the dc voltage offset across the ripple filter [15]. This method implies that very low dc voltage across the filter is measured, which is sensitive to noise. A dc offset detection method is proposed by Buticchi [16]. However, this method needs a nonlinear inductor. Hence, a customized inductor should be designed according to specific systems. In this paper, a novel control strategy to suppress dc current injection of transformerless PV inverters to the grid is investigated.

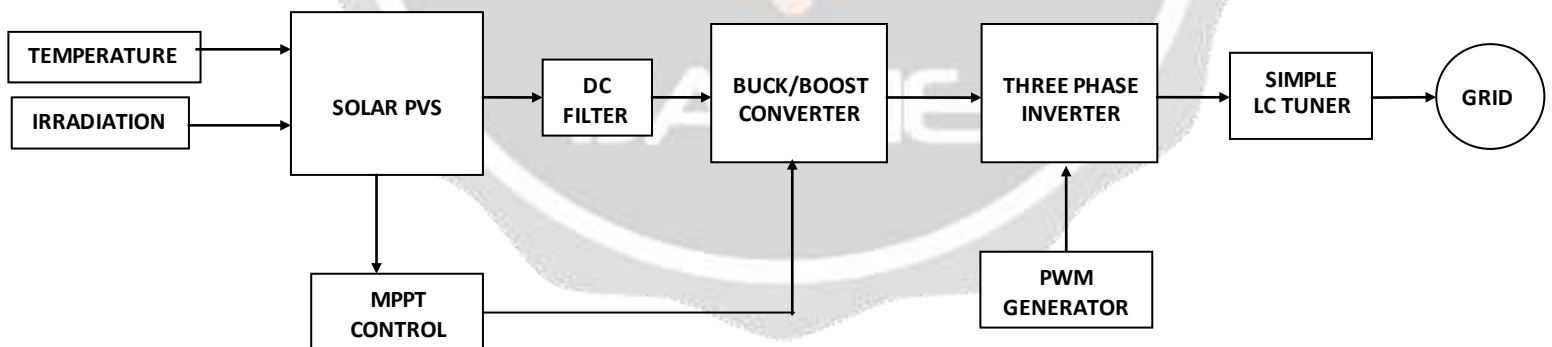


Fig-1: Block diagram of proposed system

2. PROPOSED TECHNIQUE

The full-bridge PV inverter without output isolation transformer is shown in Fig. 1. From Fig. 1, the grid current reference i_{ref} can be expressed as

$$i_{ref} = I_{ref} \cos \theta \dots \dots \dots (1)$$

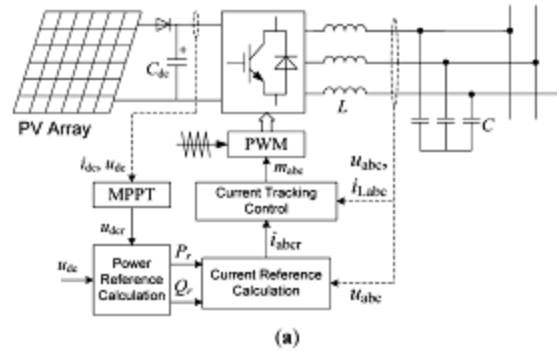


Fig-2: Existing scheme diagram of PV grid-connected inverter.

where I_{ref} is the amplitude of grid current command, and θ is the phase angle of grid current which is synchronized with grid voltage by phase-locked loop. PV inverter output generally has dc offset voltage component, which results from disparity of power modules, asymmetry of driving pulses, detection error of current, etc. Traditionally, a transformer is inserted between the PV inverter and the grid. Although the PV inverter output may have dc voltage component, there is no dc current injection to the grid. However, in the case of the PV inverter without isolation transformer, the inverter output dc offset may cause a significant dc current injection to the grid, which may violate the grid connection standards and cannot be neglected [20]. In order to effectively restrain dc current injection to the grid, a control strategy for a single-phase PV inverter without the isolation transformer is shown in Fig. 2 [17], [24]. Compared with Fig. 1, an extra dc offset voltage suppression loop is added to the previous control scheme. The dc suppression loop is composed of a differential amplifier, a low-pass filter, and a dc controller.

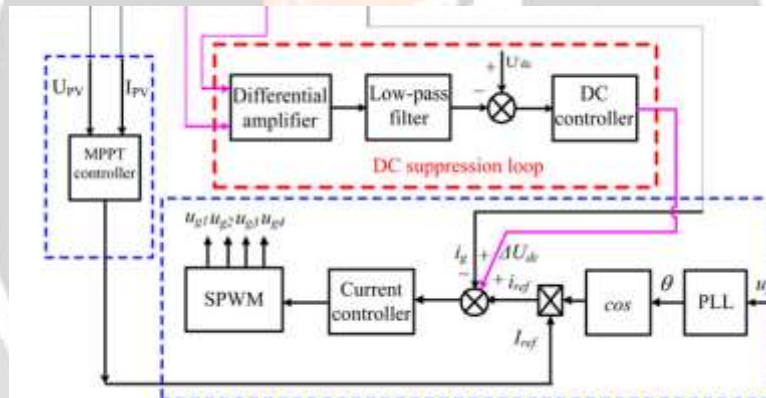


Fig-3: proposed scheme for PV grid-connected inverter planned for three phase system

The input of dc suppression loop is u_{AB} , which is a high frequency PWM waveform sampled between the point A of inverter bridge-leg 1 and the point B of inverter bridge-leg 2. DC offset voltage of u_{AB} is accurately extracted by a differential amplifier and a low-pass filter. Then, it is compared with inverter dc voltage reference U_{dc} ref which is set to zero, and dc offset voltage error is obtained. The error is regulated by the integral controller. Finally, the output of dc controller ΔU_{dc} , which is also the output of dc suppression loop, is added to the grid current reference i_{ref} of the grid current control loop.

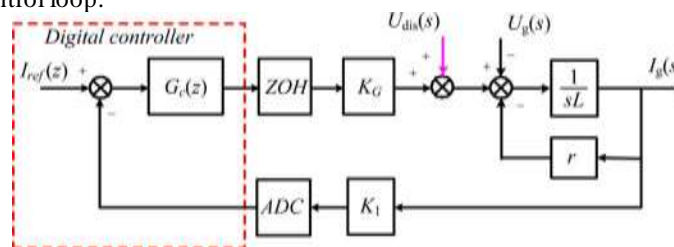


Fig-4: Control diagram for PV grid-connected inverter.

The novel control strategy has two significant features. The first is that the differential amplifier is used to sample the dc offset voltage between the two bridge-leg middle points of full bridge inverter. To accurately detect the dc

offset voltage of the inverter switch-side output voltage u_{AB} , a high-precision differential amplifier with low offset and high common-mode rejection ratio is needed. The using of differential amplifier can not only reduce the cost, but also avoid the zero-drift by using Hall-effect sensors. The second one is that dc suppression loop can suppress inverter output disturbances. Therefore, the dc current injected to the grid can be effectively suppressed.

3. ANALYSIS OF DISTURBANCE SUPPRESSING EFFECT

The control block diagram of PV grid-connected inverter is shown in Fig. 4.3, which is derived from Fig. 4.1, where $I_{ref}(z)$ is current reference of the inverter, $G_c(z)$ is digital controller of current loop, and KG is the gain from the output of current controller $G_c(z)$ to inverter switch-side voltage. $U_{dis}(s)$ represents the disturbance caused by the turn-on and turn-off difference of the four switches, the saturation voltage difference of the four switches, the gate drive signal delay difference of the four switches, and so on. L is the output filter inductor. r is the equivalent resistance of output filter inductor L . $I_g(s)$ is the grid current of the inverter. K_1 is the feedback gain of current loop. ADC is the analog-to-digital converter which converts the analog sampling value of $I_g(s)$ to digital one. ZOH is zero-order holds which is connected in series between the output of digital controller and KG . From Fig. 4.3, the transfer function in s-domain from disturbance source $U_{dis}(s)$ to grid current $I_g(s)$ with the original control scheme can be derived as follows:

$$\frac{I_g(s)}{U_{dis}(s)} = \frac{s \cdot e^{-(T_s \cdot s)}}{s(sL + r) + K_1 K_G (K_{pi}s + K_{ii})} \quad (2)$$

where K_{pi} and K_{ii} are the proportional and integral coefficient of current controller, respectively. $e^{-(s \cdot T_s)}$ is the delay effect considering time delay caused by ADC, digital computation and ZOH, where T_s is the duration of sampling period [38], $T_s = 1/f_s$, f_s is switching frequency of PV inverter.

In theory, if both the feedback gain of current loop K_1 and ADC are accurate enough, the dc offset of grid current can be eliminated with PI regulator. However, it is actually limited by ADC resolution and accuracy of the current sensor. The maximum grid dc current detecting error ΔI_g can be calculated as

$$\Delta I_g = \Delta I_{g1} + \Delta I_{g2} \quad (3)$$

where ΔI_{g1} represents error caused by ADC resolution. ΔI_{g2} represents error caused by the error of current sensor and conditioning circuit.

4 SIMULATION RESULTS

In this section a novel control strategy to suppress dc current injection of transformerless PV inverters to the grid is investigated using MATLAB simulink software. The Fig-5 and 6 represents the overall design of the proposed circuit and solar PV system.

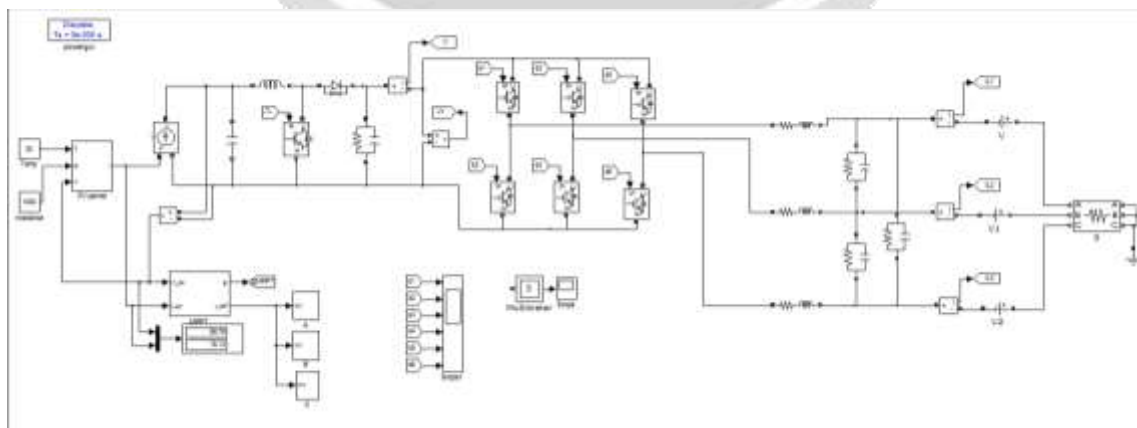


Fig-5: proposed three phase grid connected PV inverter system using MATLAB software

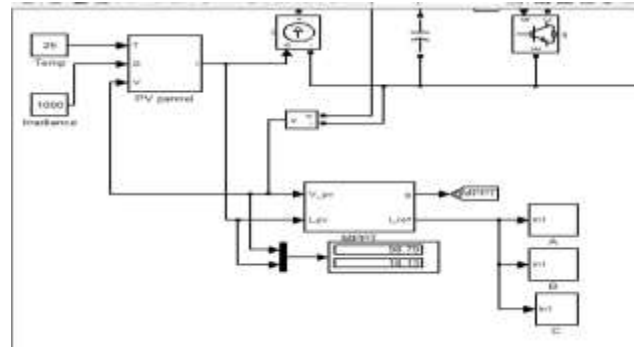


Fig-6: MPPT control solar PV Systems

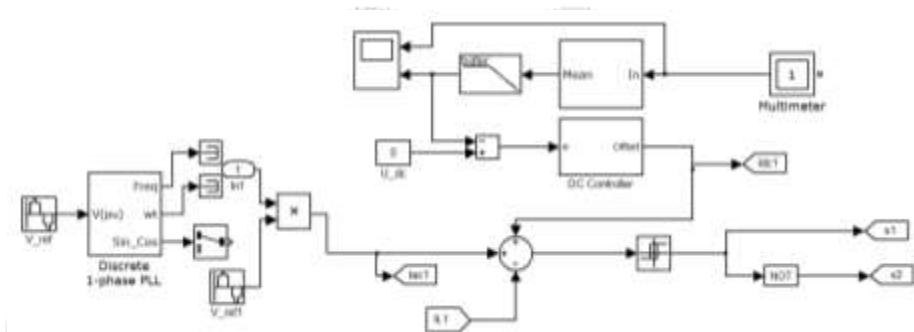


Fig-7: Proposed Control Scheme has extended to three phase inverter scheme successfully

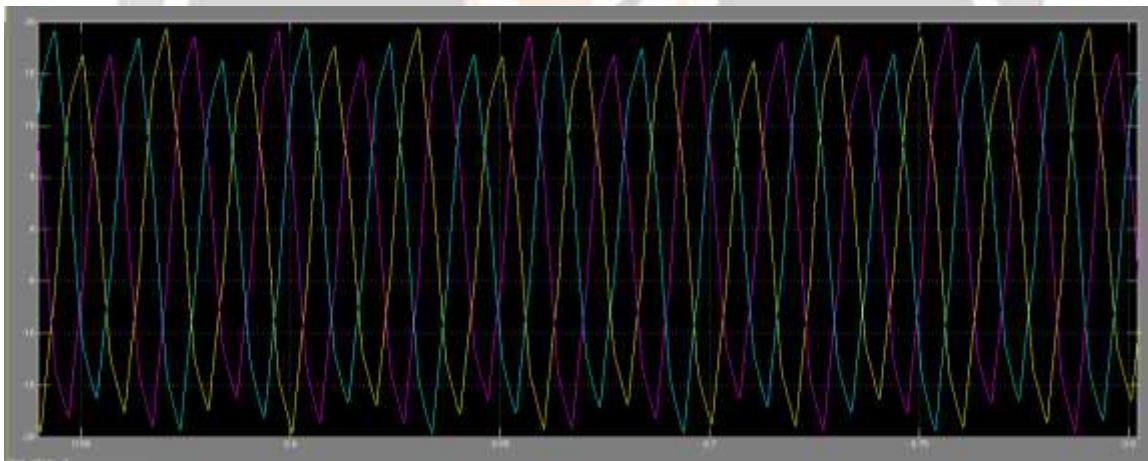


Fig-8: The three phase voltage output of grid connected PV inverter using proposed control scheme

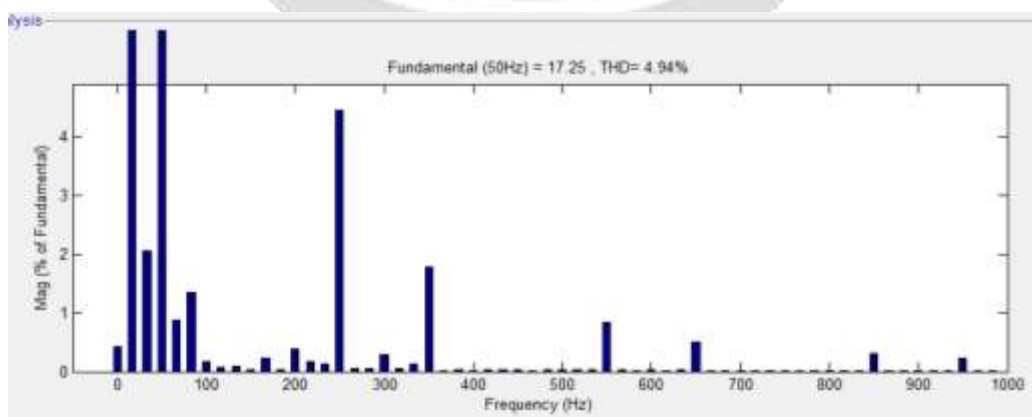


Fig-9: FFT analysis of the grid injected PV Three phase Inverter output voltage.

Fig-7 represents the proposed controller design which has extended for three phase system; fig-8 shows the waveform of three phase output voltage and fig-9 represents the FFT analysis of the proposed system which is about 4.94%.

5. CONCLUSIONS

In this project a novel control strategy to eliminate dc current injection to the grid for single-phase and three phase PV inverter without the isolation transformer has investigated. It is based on accurately sensing the dc offset voltage between the two bridge-leg middle points of full-bridge single phase and three phase inverter. The novel control strategy is inherently free from off-set measurement errors. The FFT had drawn using MATLAB Simulink software clearly depicting the effectiveness of the proposed system which is about 4.94%. The Results show that the novel control strategy can effectively suppress dc injection current of PV system under grid-connected condition effectively.

6. REFERENCES

- [1] R.Gonzalez, E. Gubia, J. Lopez, and L.Marroyo, "Transformerless single phase multilevel-based photovoltaic inverter," *IEEE Trans. Ind. Electron.*, vol. 55, no. 7, pp. 2694–2702, Jul. 2008.
- [2] T. Kerekes, R. Teodorescu, P. Rodriguez, G. Vazquez, and E. Aldabas, "A new high-efficiency single-phase transformerless PV inverter topology," *IEEE Trans. Ind. Electron.*, vol. 58, no. 1, pp. 184–191, Jan. 2011.
- [3] H. Baerlin, "Evolution of inverters for grid connected PV-Systems from 1989 to 2000," in *Proc. 17th Eur. Photovoltaic Solar Energy Conf.*, Munich, Germany, Oct. 22–26, 2001, pp. 426–430.
- [4] J. M. Carrasco, L. G. Franquelo, J. T. Bialasiewicz, E. Galván, R. C. Portillo Guisado, M. A. MParts, J. I. León, and N. Moreno-Alfonso, "Power-electronic systems for the grid integration of renewable energy sources: A survey," *IEEE Trans. Ind. Electron.*, vol. 53, no. 4, pp. 1002–1016, Jun. 2006.
- [5] A. A. Fardoun, E. H. Ismail, A. J. Sabzali, and M. A. Al-Saffar, "New efficient bridgeless Cuk rectifiers for PFC applications," *IEEE Trans. Power Electron.*, vol. 27, no. 7, pp. 3292–3301, Jul. 2012.
- [6] E. H. Ismail, "Bridgeless SEPIC rectifier with unity power factor and reduced conduction losses," *IEEE Trans. Ind. Electron.*, vol. 56, no. 4, pp. 1147–1157, Apr. 2009.
- [7] B. Su, J. Zhang, and Z. Lu, "Totem-pole boost bridgeless pfc rectifier with simple zero-current detection and full-range zvs operating at the boundary of DCM/CCM," *IEEE Trans. Power Electron.*, vol. 26, no. 2, pp. 427–435, Feb. 2011.
- [8] J. Zhang, B. Su, and Z. Lu, "Single inductor three-level bridgeless boost power factor correction rectifier with nature voltage clamp," *IET Power Electron.*, vol. 5, no. 3, pp. 358–365, Mar. 2012.
- [9] Y. Cho and J.-S. Lai, "Digital plug-in repetitive controller for single-phase bridgeless pfc converters," *IEEE Trans. Power Electron.*, vol. 28, no. 1, pp. 165–175, Jan. 2013.
- [10] A. A. Fardoun, E. H. Ismail, A. J. Sabzali, and M. A. Al-Saffar, "Bridgeless resonant pseudo boost PFC rectifier," *IEEE Trans. Power Electron.*, vol. 29, no. 11, pp. 5949–5960, Nov. 2014.
- [11] R. Gules, W. M. Santos, F. A. Reis, E. F. R. Romaneli, and A. A. Badin, "A modified SEPIC converter with high static gain for renewable applications," *IEEE Trans. Power Electron.*, vol. 29, no. 11, pp. 5860–5871, Nov. 2014.
- [12] P. F. de Melo, R. Gules, E. F. R. Romaneli, and R. C. Annunziato, "A modified SEPIC converter for high-power-factor rectifier and universal input voltage applications," *IEEE Trans. Power Electron.*, vol. 25, no. 2, pp. 310–321, Feb. 2010.